




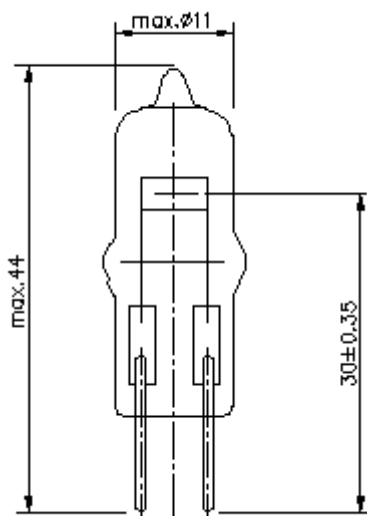
Medical

	Type 55322 12V 100W GY6,35
	Ordering - No. 55322
Product Description	Special Halogen Lamp
Features	Quartz Bulb, Exactly positioned Filament
Applications	Medical, Microscope, Analysis

Technical Details

ANSI	EVA
Rated Voltage (V)	12
Wattage (W)	max. 112
Luminous Flux (lm)	2700 ± 8%
Average Lifetime (h)	2000
Base	GY6,35
Overall Length (mm)	max.44,0
Bulb Diameter (mm)	max. 11,0
Light Center Length (mm)	30 ± 0,35
Packaging Configuration	100 pcs.
Environmental Remark	Product does not contain lead or mercury and is conform with Directive 2002/95/EC "Restriction of the use of certain hazardous substances in electrical and electronic equipment".

Drawing (in mm)



valid from	07.02.2024—V2—PN24/0035
replace for	02.12.2016—V1—PN16/0424
file	55322.100.pdf